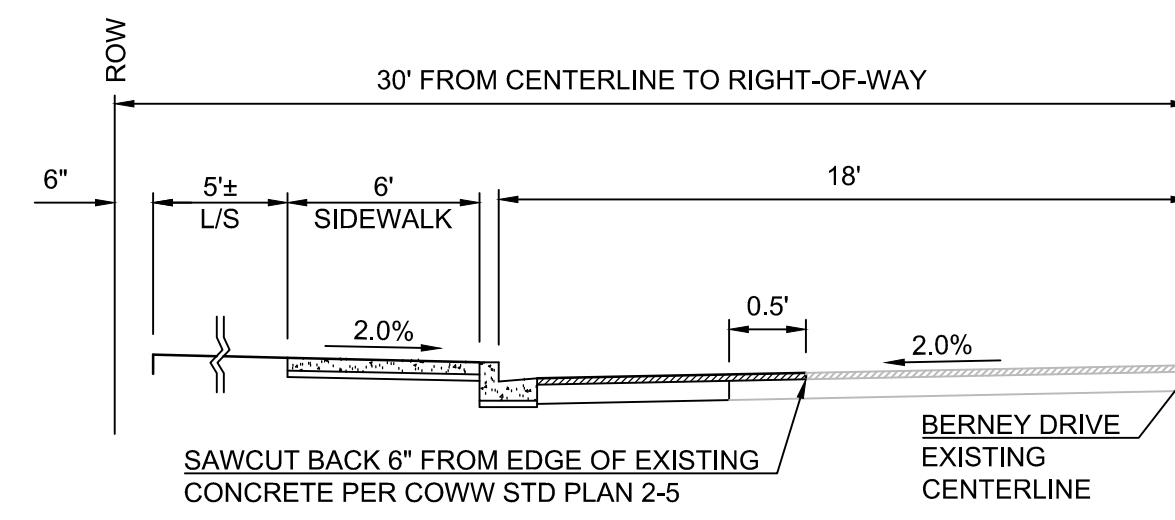
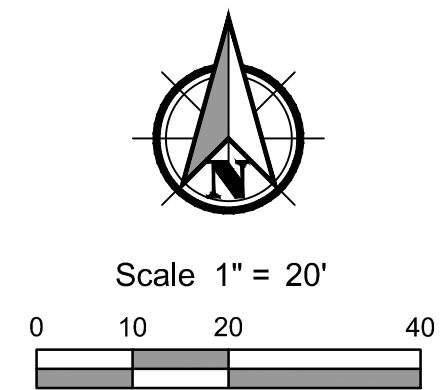


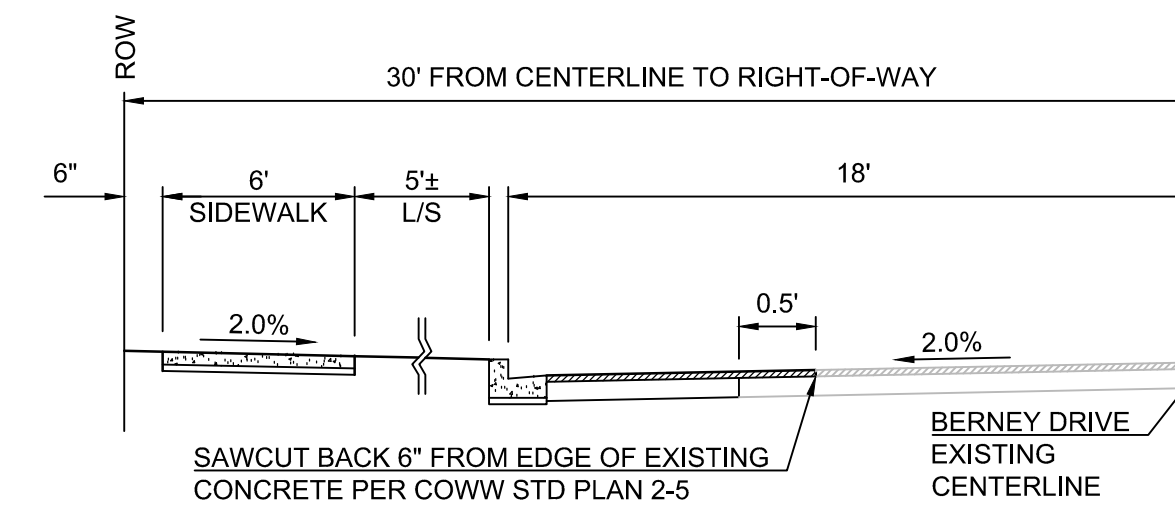
ENGINEERING:
PBS ENGINEERING AND ENVIRONMENTAL, INC.
TREVOR BENNETT, PE
ELI SIU, EIT
 5 NORTH COLVILLE STREET, SUITE 200
 WALLA WALLA, WA 99362
 (509) 956-3026

SURVEYOR:
PBS ENGINEERING AND ENVIRONMENTAL, INC.
KEN LEGASSIE, PLS
 5 NORTH COLVILLE STREET, SUITE 200
 WALLA WALLA, WA 99362
 (509) 956-3026

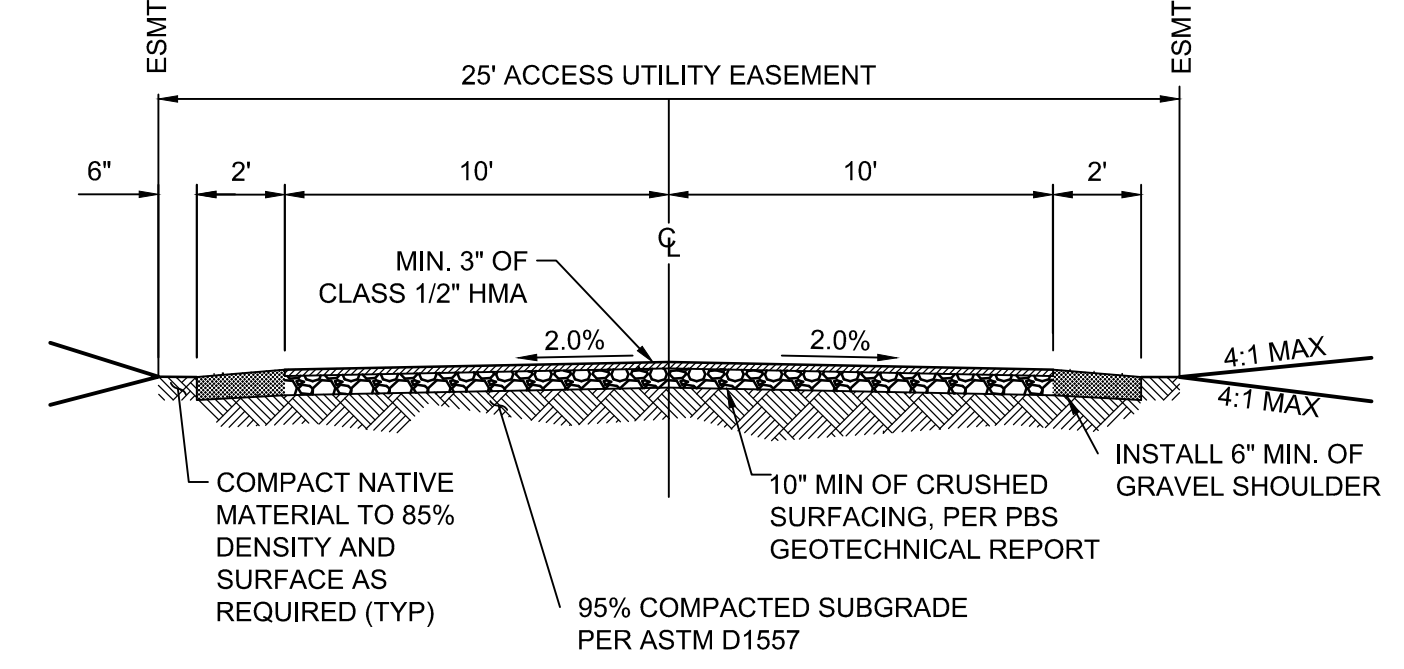
OWNER/DEVELOPER/APPLICANT:
LANCE DOYLE
 2005 WALLACE STREET
 WALLA WALLA, WA 99362
 (509) 524-0223



**BERNEY DRIVE ROADWAY SECTION
 w/ ATTACHED SIDEWALK**
 NTS



**BERNEY DRIVE ROADWAY SECTION
 w/ DETACHED SIDEWALK**
 NTS



PRIVATE ROADWAY SECTION
 NTS

LINETYPE LEGEND

---	EXISTING INDEX CONTOUR
---	EXISTING MINOR CONTOUR
---	RIGHT-OF-WAY LINE
---	EASEMENT LINE
---	CENTERLINE
---	PROPOSED LOT LINE
---	SANITARY SEWER MAIN LINE
---	SANITARY SEWER SERVICE
---	WATER MAIN LINE
---	WATER SERVICE LINE
---	EXISTING LOT LINE
---	EXISTING SANITARY SEWER MAIN LINE
---	EXISTING ELECTRIC UTILITY LINE
---	EXISTING WATER MAIN LINE
---	EXISTING GAS

SYMBOL LEGEND

○	SEWER MANHOLE
●	DRYWELL
⊠	CATCH BASIN
○	EXISTING SEWER MANHOLE
○	EXISTING UTILITY POLE
⊠	EXISTING WATER METER
⊠	EXISTING WATER VALVE

LAND USE TABLE

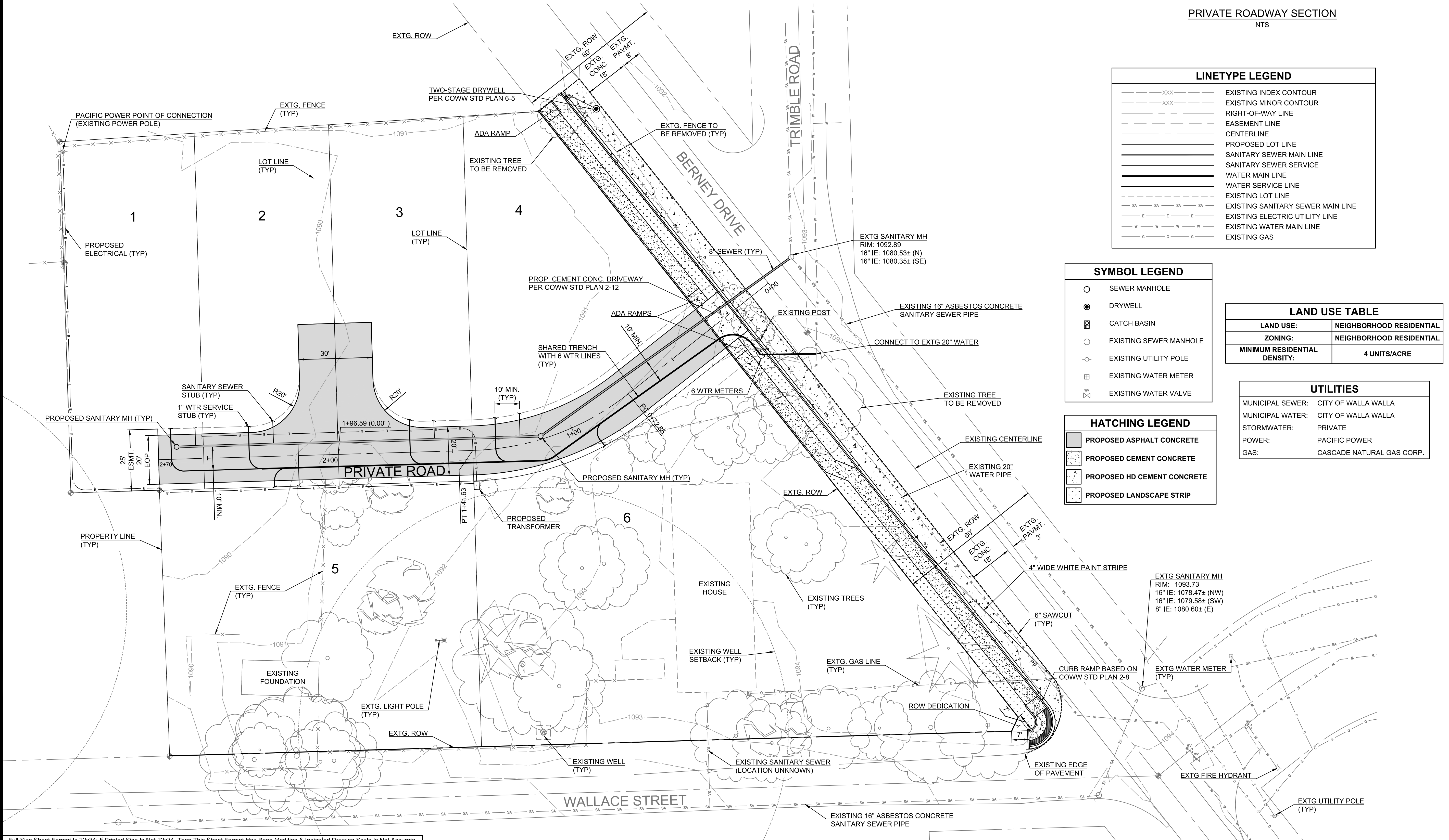
LAND USE:	NEIGHBORHOOD RESIDENTIAL
ZONING:	NEIGHBORHOOD RESIDENTIAL
MINIMUM RESIDENTIAL DENSITY:	4 UNITS/ACRE

HATCHING LEGEND

[Pattern]	PROPOSED ASPHALT CONCRETE
[Pattern]	PROPOSED CEMENT CONCRETE
[Pattern]	PROPOSED HD CEMENT CONCRETE
[Pattern]	PROPOSED LANDSCAPE STRIP

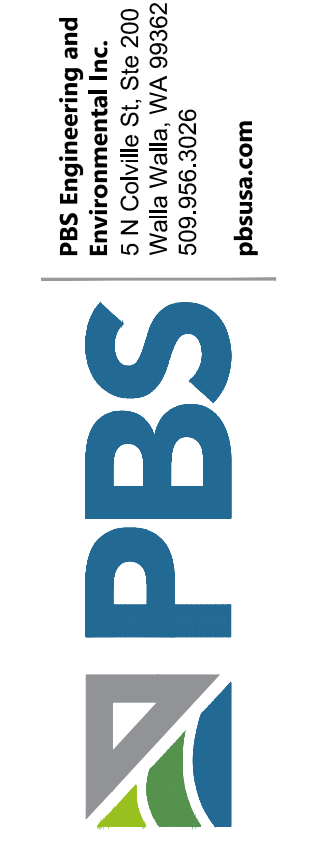
UTILITIES

MUNICIPAL SEWER:	CITY OF WALLA WALLA
MUNICIPAL WATER:	CITY OF WALLA WALLA
STORMWATER:	PRIVATE
POWER:	PACIFIC POWER
GAS:	CASCADE NATURAL GAS CORP.

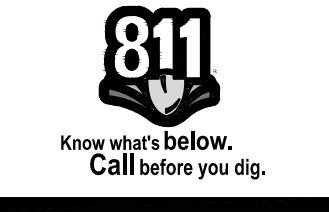


File name: L:\Projects\68041-000\Civil\CAD\Working\68041-000_DoylePrelimCivilPlan.dwg User: Eli Siu CAD Plot Date/Time: 3/20/2024 10:12:30 AM Layout: Tabl EXHIBIT

Full Size Sheet Format Is 22x34; If Printed Size Is Not 22x34, Then This Sheet Format Has Been Modified & Indicated Drawing Scale Is Not Accurate.



PRELIMINARY UTILITY PLAN AND ROAD SECTIONS FOR:
DOYLE SUBDIVISION
 A SITE LOCATED IN THE CITY OF WALLA WALLA, WASHINGTON



DESIGNED:
EOS

CHECKED:
TAB

MARCH 2024
68041-000

SHEET ID
FIG 1
 SHEET 1 OF 1